

Certikin

CERTIKIN DIVING BOARDS

FEATURES

Kestrel Diving Boards

- Designed especially for private pools.
- Made from high quality fibreglass.
- Easy clean non-slip hygienic surface with attractive blue and white finish
- Available in the following lengths:
 - 1.2 metres (4')
 - 1.8 metres (6')
 - 2.4 metres (8')
 - 3 metres (10')

Domestic Diving Board Mountings

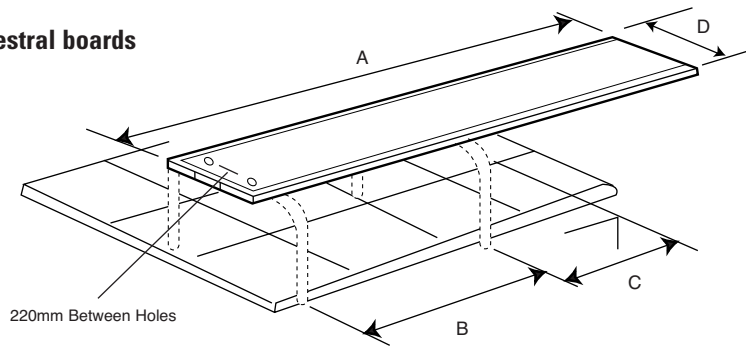
- CK115 - 450mm high
CK119S - 300mm high
- Mirror-polished stainless steel backstand.
- Supplied complete with all the necessary fixings.
- Fulcrum set supplied with diving boards.



Certikin's range of top quality swimming pool equipment is designed for all types of swimming pools.

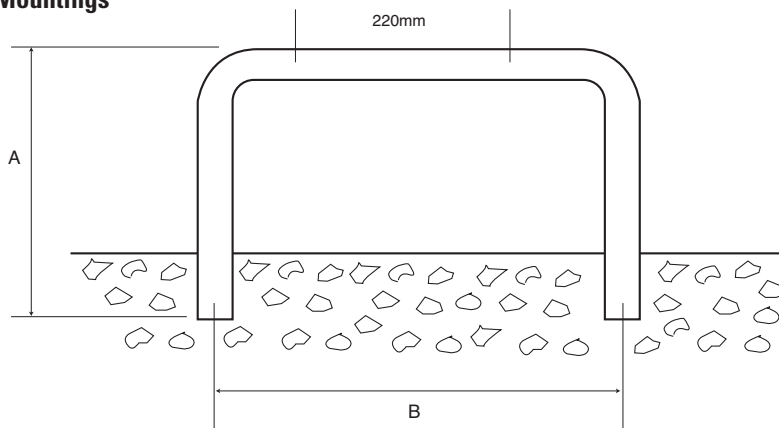
Certikin can also supply a full range of equipment for commercial applications.

Kestral boards



Model	A	B	C	D
KS6	6'0" / 1.846mtr	920mm	460mm	340mm
KS8	8'0" / 2.462mtr	1140mm	460mm	340mm
KS10	10'0" / 3.077mtr	1320mm	460mm	340mm

Mountings



Model	Tube Size	A	B	
CK119S	38mm	381mm	571mm	For KS4 / KS6
CK115	38mm	533mm	571mm	For Ks8 / KS10

If you should require further technical information
please do not hesitate to contact us.

